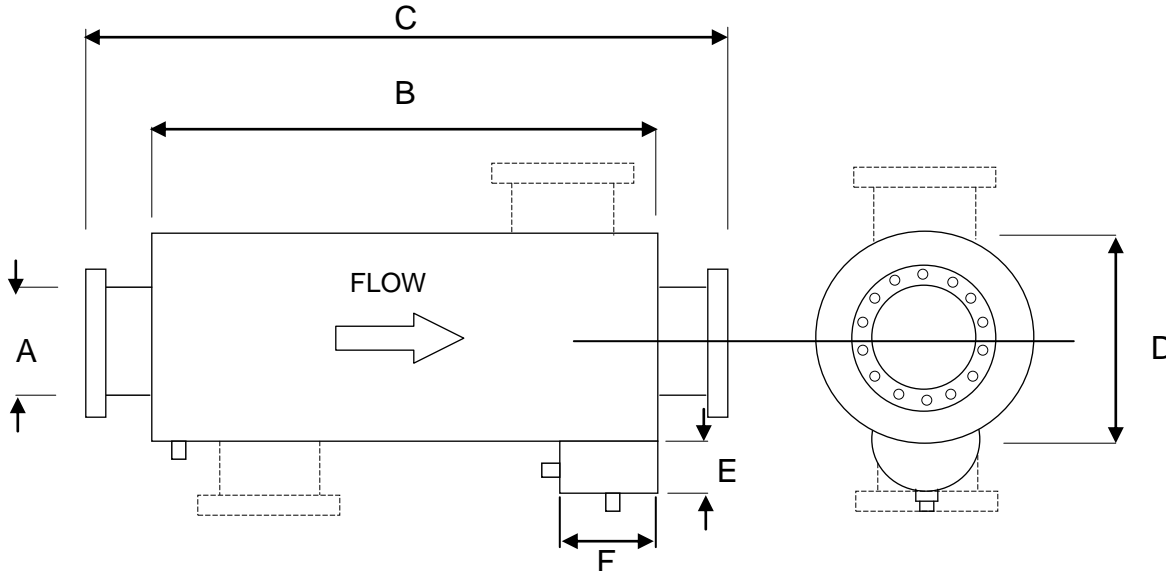




SG02/00262.01

SG02/55341.01

# CE30SA75 DNVGL-CP-0282-Type Approved Spark Arresting Silencers (Up to 30dba Attenuation)



## CE30SA75

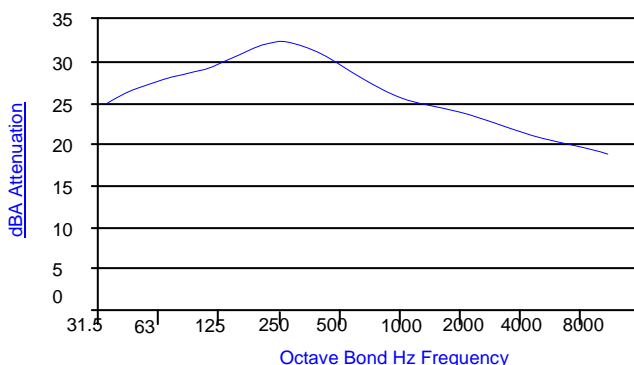
(END INLET-END OUTLET)

## CE30SA75S

(SIDE INLET-END OUTLET)

ØA	B	C	ØD	RAD E	F
75	1100	1260	330	70	180
100	1180	1360	380	70	230
125	1400	1580	420	80	250
150	1580	1760	480	80	320
200	2000	2220	600	90	380
250	2400	2620	700	100	450
300	3000	3250	850	100	480
350	3300	3560	980	150	550
400	3800	4100	1100	150	630

\* Larger sizes available on request



### APPLICATION

CE30SA75 Spark Arresting series is a high performance reactive silencer recommended for those conditions where the ambient noise level in the environment is very low, particularly where stringent noise criterion is demanded and type approval is compulsory. For use with two and four cycle engines.

### PERFORMANCE

Attenuation of up to 30dbA is attained from the outlet of CE30SA75 / CE30SA75S range of silencers under open-field conditions.

### FEATURES

- Mild steel body with choice of flanges (JIS, ANSI, PN10, Table D, etc.)
- Coated with heat-resistant aluminum paint (Up to 600°C) Sandblasting Optional
- Can be mounted either vertically or horizontally without affecting performance
- Choice of materials of construction (MS, SS304, SS316, etc.)
- Modifications and other sizes available upon request

## CORD EXHAUST ENGINEERING PTE LTD

69 TECH PARK CRESCENT, SINGAPORE 638073.

TEL NO : 67442689 FAX NO : 67472217 E-MAIL : enquires@cordexhaust.com.sg WEBSITE : www.cordexhaust.com.sg