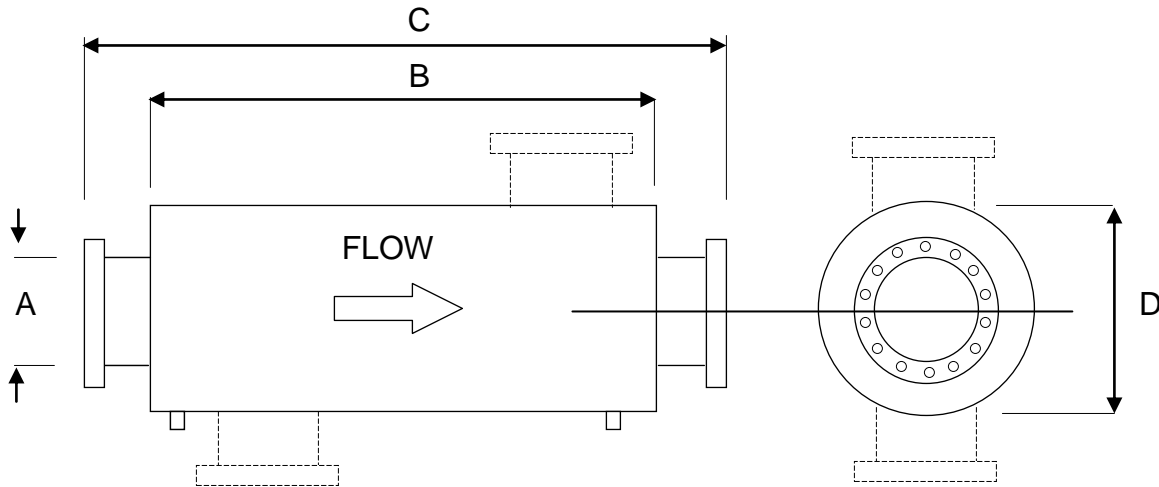




# CE35 Critical Silencers



## CE35

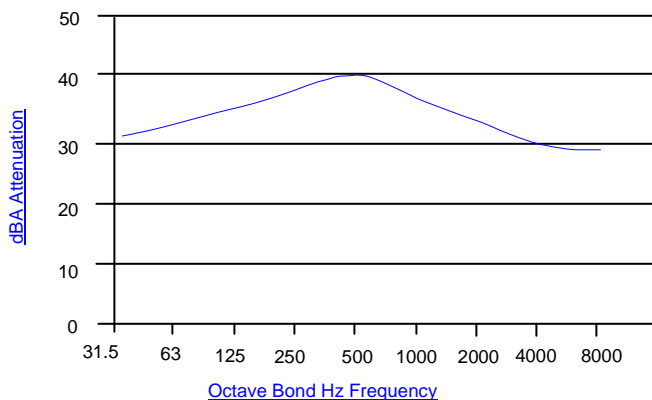
(END INLET-END OUTLET)

## CE35S

(SIDE INLET OR SIDE OUTLET)

ØA	B	C	ØD
75	1070	1240	400
100	1140	1315	450
125	1400	1575	500
150	1525	1705	600
200	1830	2040	750
250	2340	2555	850
300	2740	2960	1020
350	3300	3560	1120
400	3860	4035	1270

\* Larger sizes available on request



### APPLICATION

Critical series is a high performance reactive absorptive silencer recommended for those conditions where the ambient noise level in the environment is very low. Used particularly where stringent noise criterion is demanded. Offers excellent broadband attenuation. For use with two and four cycle engines.

### PERFORMANCE

An attenuation of up to 35dbA is attained from the outlet of CE35 / CE35S range of silencers under open-field conditions.

### FEATURES

- Mild steel body with JIS 5K flanges
- Coated with heat-resistant aluminum paint (Up to 600°C)
- Can be mounted either vertically or horizontally without affecting performance
- Modifications and other sizes available upon request

## CORD EXHAUST ENGINEERING PTE LTD

69 TECH PARK CRESCENT, SINGAPORE 638073.

TEL NO : 67442689 FAX NO : 67472217 E-MAIL : enquires@cordexhaust.com.sg WEBSITE : www.cordexhaust.com.sg